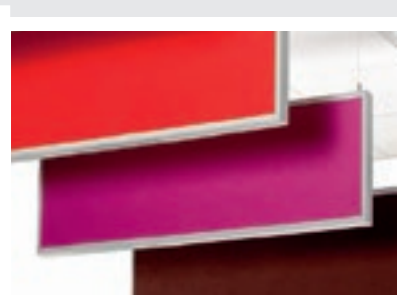
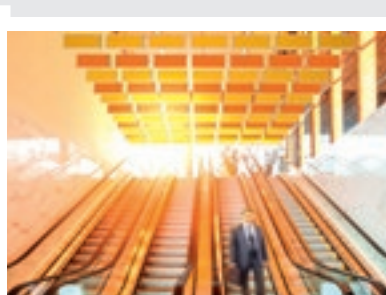
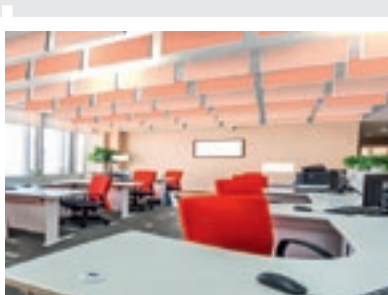
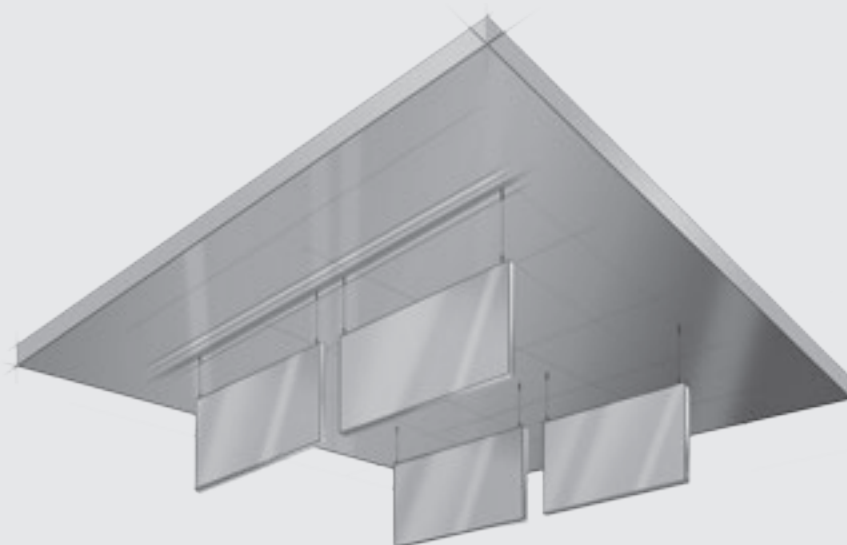


Baffles

THERMATEX® Baffle

HERADESIGN® Baffle



Product Range

Product programme THERMATEX® Baffle	Baffle size [mm]	Approx. weight [kg/baffle]		
		THERMATEX® Baffle Classic	THERMATEX® Baffle Colour	THERMATEX® Baffle Exclusive
	1200 x 300	3.0	3.0	3.0
1200 x 600	6.2	6.2	6.2	

Other dimensions on request

Product programme HERADESIGN® Baffle	Baffle size [mm]	Approx. weight [kg/baffle]							
		HERADESIGN® fine		HERADESIGN® fine A2		HERADESIGN® superfine		HERADESIGN® superfine A2	
		basic	aluDesign	basic	aluDesign	basic	aluDesign	basic	aluDesign
	600 x 300	3.1	4.5	4.8	6.1	3.0	4.4	4.5	5.8
1200 x 300	6.3	8.7	9.7	12.0	6.0	8.4	8.9	11.3	
1800 x 300	9.4	12.9	14.5	17.8	9.0	12.5	13.4	16.8	
600 x 600	6.1	8.3	9.5	11.6	5.8	8.0	8.8	10.9	
1200 x 600	12.2	15.9	19.0	22.5	11.6	15.3	17.6	21.1	
1800 x 600	18.3	23.4	28.5	33.5	17.4	22.6	26.4	31.4	

Other dimensions on request

THERMATEX® Baffle

Product Range

THERMATEX® Baffle Classic



THERMATEX® Baffle Colour

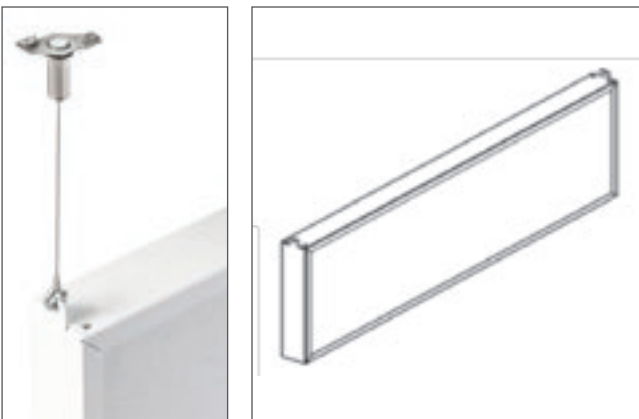


THERMATEX® Baffle Exclusive

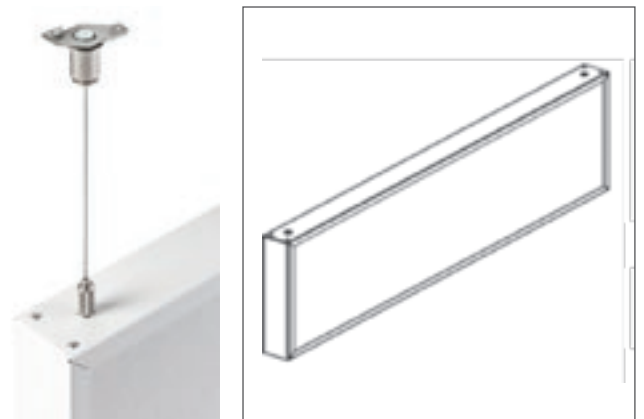


Suspension

Cable and tab connector on the side (BAL)



Cable and top screw thread (BAN)

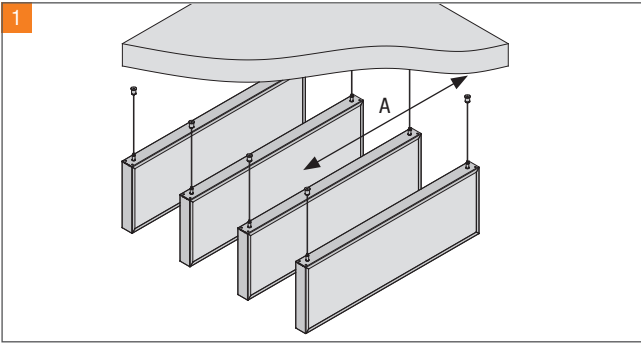


Caddy-clip and karabiner on tab connector

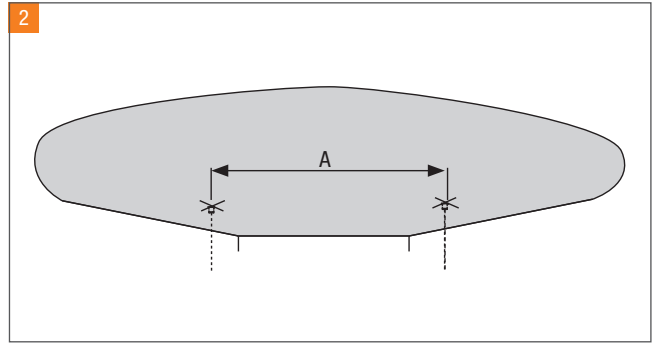


THERMATEX® Baffle with M6 rivet nut (BAN)

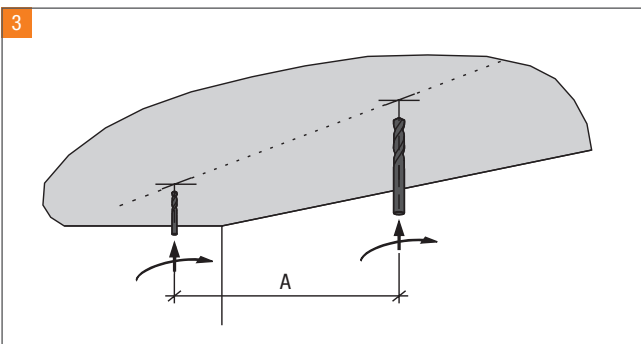
Installation guidelines and advice



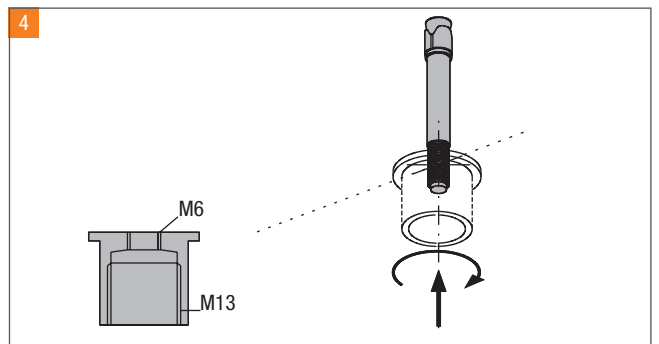
Installation with cable hanger and top screw thread



The centres in both directions are transferred to the desired fixing positions.

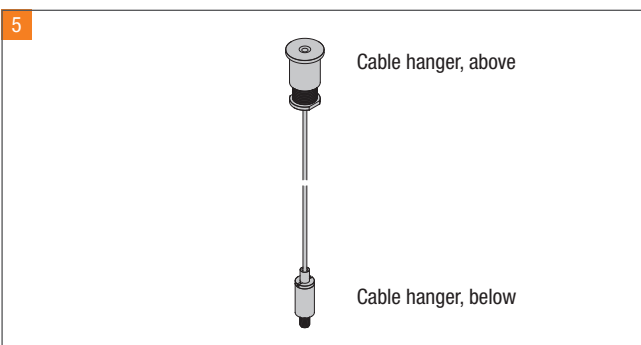


Depending on the soffit material and type of fixing, drilling may be necessary.

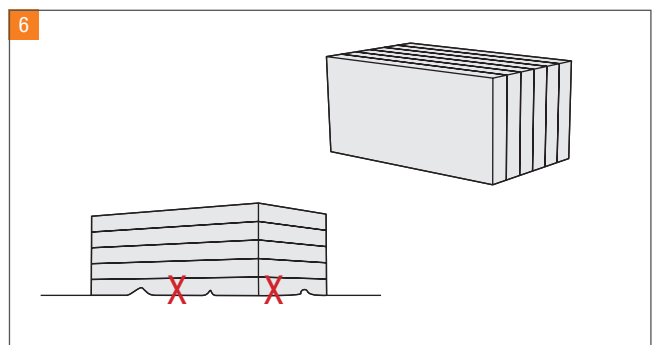


The included ceiling mounts feature an M6 internal thread for installation to the ceiling (soffit). Suitable fixings should be chosen for the specific installation and the type of soffit in consultation with the screw/plug manufacturer.

Possible fixings: M6 bolt or appropriate screw and plug combination.



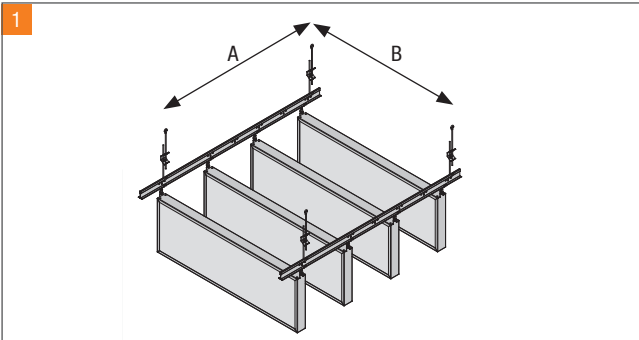
Install cable hanger



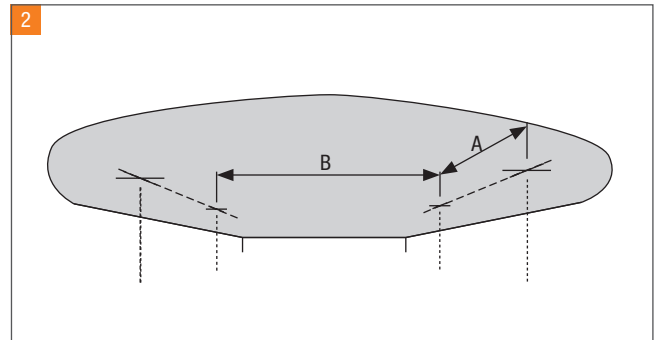
The rafts must always be stored on a dry and flat surface and can either be stacked (max 8 pieces) or stand on the long edge (no stacking permitted). Mechanical stress (impacts etc.) can cause damage to the product. During transport and installation of ceiling rafts, the rafts must always be carried by two people. When removing the packaging and at all times when handling the rafts, clean white cotton gloves should be worn. Ensure that only the frames of the ceiling rafts are handled.

THERMATEX® Baffle with tab connector in T-profiles (BAL)

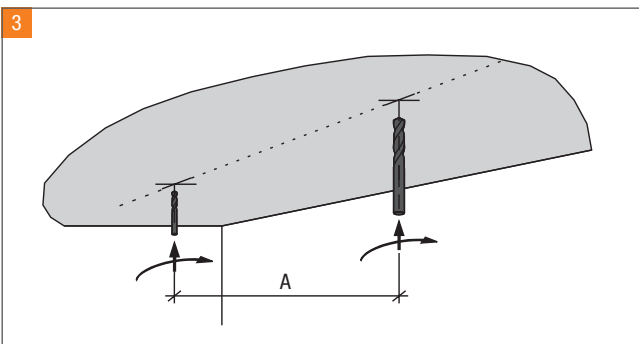
Installation guidelines and advice



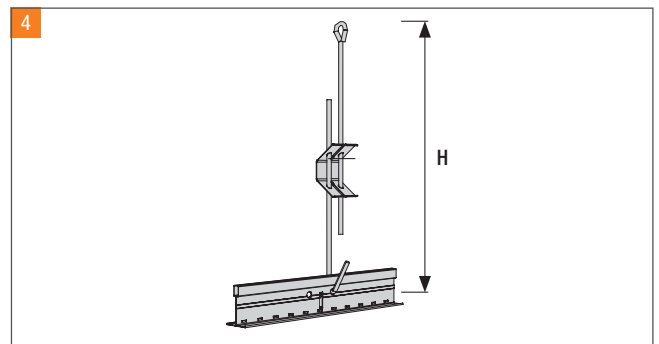
Installation using Caddy-clip and karabiner on tab connector



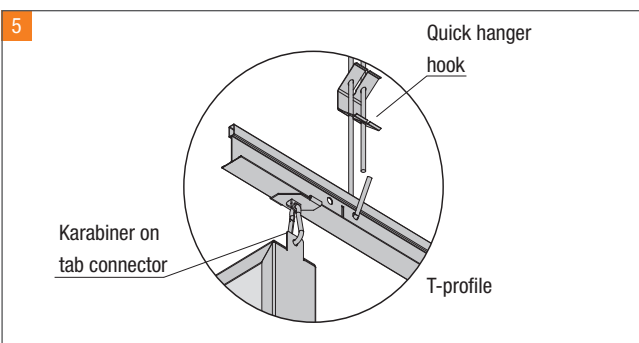
The centres in both directions are transferred to the desired fixing positions.



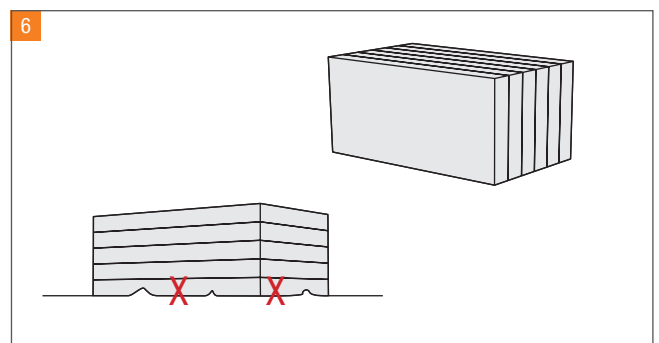
Depending on the soffit material and type of fixing, drilling may be necessary.



The hangers are always installed vertically. The maximum centres of the hangers is dependent on the row centres of the baffles. Subsequently, hang the T-profiles.



Install the Caddy-clip on the T-profile and hang the baffle on the tab connector using the karabiner.

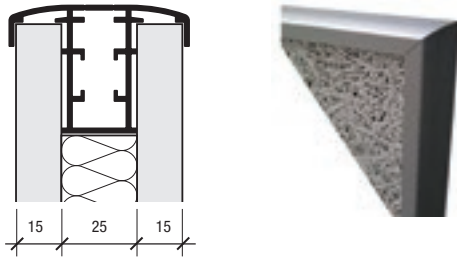


The baffles must always be stored on a dry and flat surface and can either be stacked (max 8 pieces) or stand on the long edge (no stacking permitted). Mechanical stress (impacts etc.) can cause damage to the product. During transport and installation of baffles, the baffles must always be carried by two people. When removing the packaging and at all times when handling the baffles, clean white cotton gloves should be worn. Ensure that only the frames of the baffles are handled.

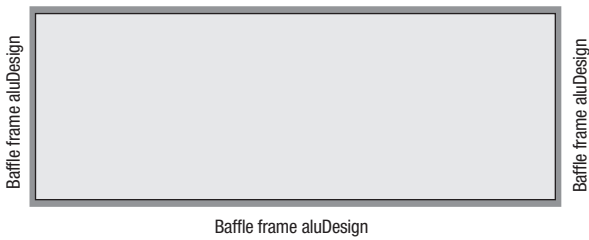
HERADESIGN® Baffle

Product Range

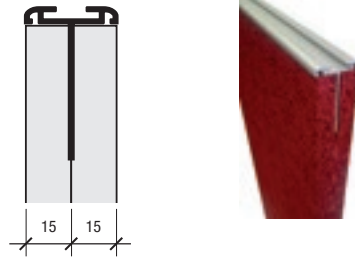
HERADESIGN® Baffle aluDesign



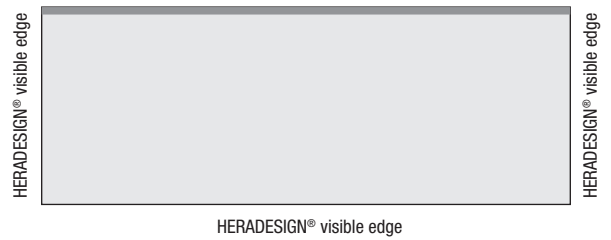
- 3-layer baffle with HERADESIGN® surface layer and mineral wool absorber core.
- Frame with completely closed anodised aluminium profile (colour A6/C0), with integrated punching for Heradesign hangers.



HERADESIGN® Baffle basic



- 2-layer baffle with HERADESIGN® surface layer and upper side anodised Alu-profile (colour A6/C0).

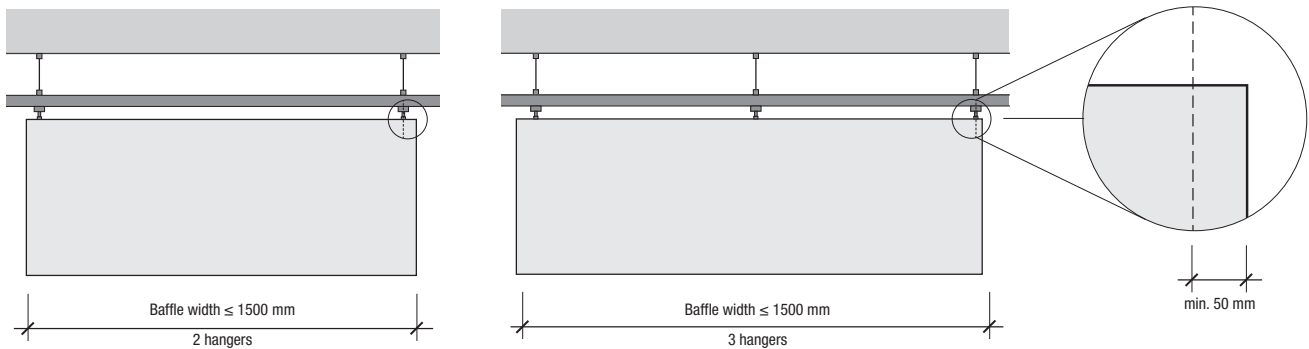


System component	Length [mm]	Packaging unit [pcs.]
Fixing profile and guide profile	3000	2

Special lengths available on request

System component	Suspension height [mm]	Packaging unit [pcs.]
Short hanger	45	12
Cable hanger	< 500	12
Angled hanger (only for Baffle aluDesign)	< 500	12
Independent hanger (use WITHOUT fixing profile)	< 500	12

Number of hangers per baffle



Application areas

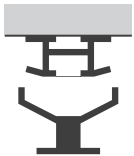
As a decorative and acoustic ceiling element for internal applications with a constant relative humidity of upto max. 85 %.
Not suitable for use in indoor swimming pools, underground car parks and external applications!

Installation guidelines and advice

HERADESIGN® suspension system for Baffle aluDesign and Baffle basic

Short hanger

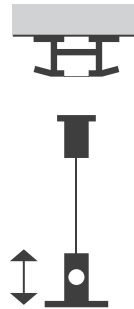
Pre-assembled hanger with integrated anti-twist device and easy-to-click metal clip for suspending HERADESIGN® Baffle aluDesign or basic from ceiling fixing profiles or guide profiles.



- Complete installation without tools
- Self-fixing
- Baffle base surface: matt nickel
- Quick and easy installation at the desired point
- Quickest possible installation due to easy-to-click function
- Suspension height 42.5 mm (upper edge of ceiling profile to upper edge of baffle)
- min. 2 hangers per baffle
- max. load per hanger 300 N/30 kg
- max. breaking load per hanger 1500 N/150 kg

Cable hanger

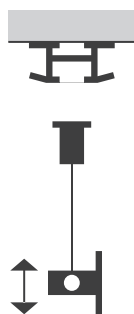
Pre-assembled hanger with integrated anti-twist device in the hanger and baffle base for suspending HERADESIGN® Baffle aluDesign or basic from ceiling fixing profiles or guide profiles.



- Complete installation without tools
- Millimetre exact height adjustment
- Cable Ø 1.2 mm, 7 x 7 galvanised steel, length 500 mm
- Nominal strength: 2400 N/mm²
- With side cable release
- Hanger and baffle base surface: matt nickel
- max. suspension height = 450 mm (upper edge of ceiling profile to upper edge of baffle)
- min. 2 hangers per baffle
- max. load per hanger 160N/16 kg
- max. breaking load per hanger 800N/80 kg

Angled hanger (only for HERADESIGN® Baffle aluDesign)

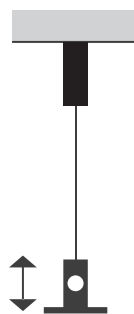
Pre-assembled hanger with integrated anti-twist device in the hanger and baffle base for the angled suspension of HERADESIGN® Baffle aluDesign from ceiling fixing profiles or guide profiles.



- Complete installation without tools
- Required angle of the Baffle infinitely variable
- Millimetre exact height adjustment
- Cable Ø 1.2 mm, 7 x 7 galvanised steel, length 500 mm
- Nominal strength: 2400 N/mm²
- With side cable release
- Hanger and baffle base surface: matt nickel
- max. suspension height = 450 mm (upper edge of ceiling profile to upper edge of baffle)
- min. 4 hangers per baffle
- max. load per hanger 160 N/16 kg
- max. breaking load per hanger 800 N/80 kg

Independent hanger

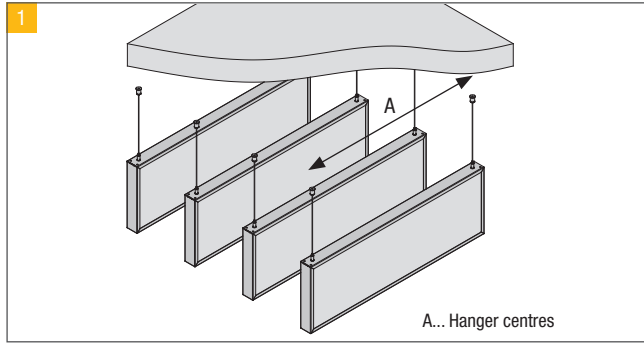
Pre-assembled hanger with integrated anti-twist device in the hanger and baffle base for suspending HERADESIGN® Baffle aluDesign or basic from the soffit or suspended ceiling system.



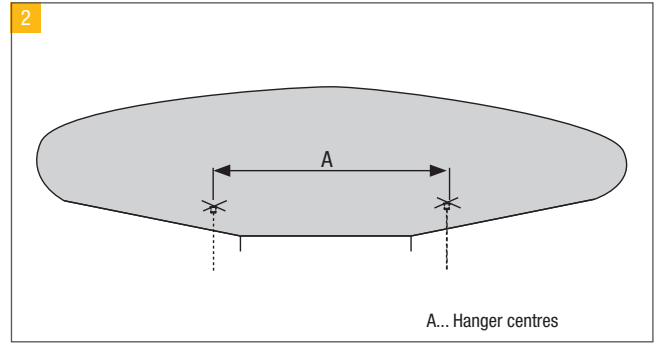
- Complete installation without tools
- Millimetre exact height adjustment
- Cable Ø 1.2 mm, 7 x 7 galvanised steel, length 500 mm
- Nominal strength: 2400 N/mm²
- With side cable release
- Hanger and baffle base surface: matt nickel
- max. suspension height = 450 mm (upper edge of ceiling profile to upper edge of baffle)
- min. 2 hangers per baffle
- max. load per hanger 160 N/16 kg
- max. breaking load per hanger 800 N/80 kg
- **Note:** When installing HERADESIGN® Baffle aluDesign with independent hangers, the positioning of the hanger base must be exact to the millimetre.

HERADESIGN® Baffle with independent hangers

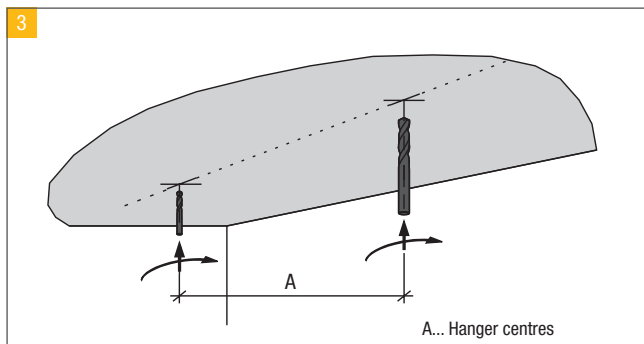
Installation guidelines and advice



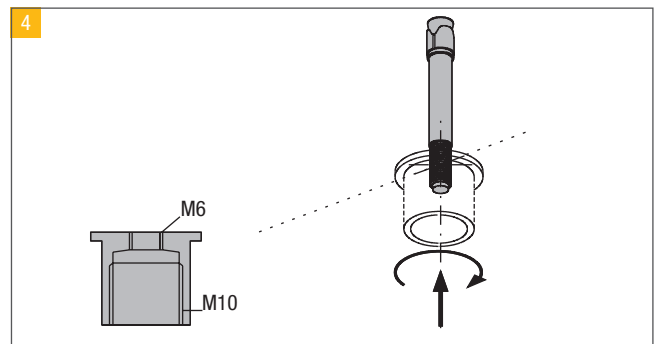
Installation using cable hangers and top screw thread.



The centres in both directions are transferred to the desired fixing positions.

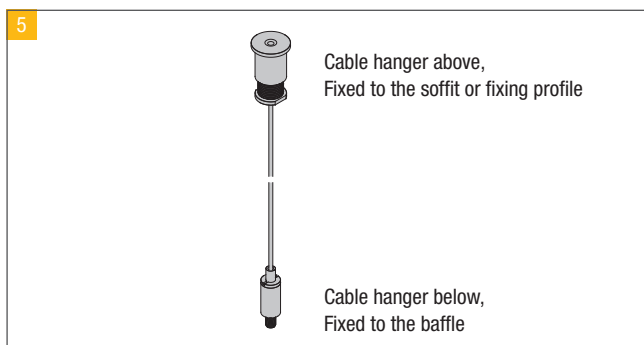


Depending on the soffit material and type of fixing, drilling may be necessary.

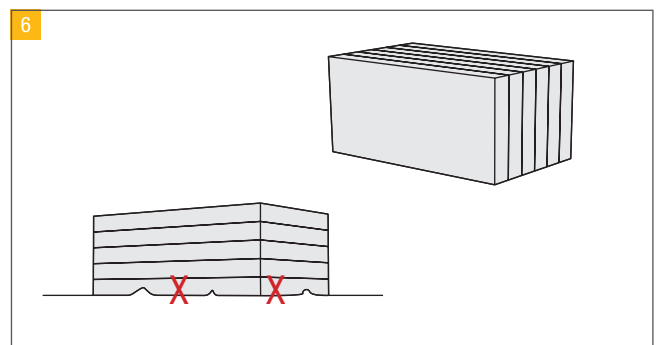


The included ceiling mounts feature an M6 internal thread for installation to the ceiling (soffit). Suitable fixings should be chosen for the specific installation and the type of soffit in consultation with the screw/plug manufacturer.

Possible fixings: M6 bolt or appropriate screw and plug combination.



Install cable hanger.



The baffles must always be stored on a dry and flat surface and can either be stacked (max 8 pieces) or stand on the long edge (no stacking permitted). Mechanical stress (impacts etc.) can cause damage to the product. During transport and installation of baffles, the baffles must always be carried by two people. When removing the packaging and at all times when handling the baffles, clean white cotton gloves should be worn. Ensure that only the frames of the baffles are handled.

Accessories for HERADESIGN® Baffle aluDesign

HERADESIGN® aluDesign - LED

HERADESIGN® Baffle aluDesign can be fitted with LED light strips when required.

The light strips are arranged in the aluminium frame for direct and/or indirect lighting.

LED light strip set		For baffle sizes [mm]
LED light strip set single 10 W	Uplight or downlight	1200 x 300 and 1200 x 600
LED light strip set single 20 W	Uplight and downlight	1200 x 300 and 1200 x 600

Including connection cable, transparent 3 x 0.75 mm²




Why LED?

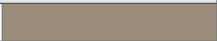


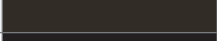

- Optimal lighting effect
- Optimal energy solution
- Small size, flat form
- Robust, even in harsh conditions
- Long service life of the light source
- Safe operation with protective low voltage

Technical data for baffle size 1200 x 600 x 60 mm (LxHxD)

- Lighting: LED technology
- Total output: 20W
- Supply: 24V DC SELV
- Indirect (upward) light strips
- - Length: 940 mm
- - Luminous flux: 393 lm
- Direct (downward) light strips
- - Length: 940 mm
- - Luminous flux: 96 lm

Baffle profile - standard and special colours

Colour		
Anodised A6/C0	Uncoloured	standard
Anodised A6/C2	Light gold	
Anodised A6/C3	Medium gold	
Anodised A6/C4	Dark gold	

Colour		
Anodised A6/C31	Light bronze	
Anodised A6/C32	Bright bronze	
Anodised A6/C33	Medium bronze	
Anodised A6/C34	Dark bronze	
Anodised A6/C35	Black	

Note:

Other RAL colours are available for Baffle Alu-profiles on request (powder coated).

For technical details and further information, see the product data sheet.